

RUBINETTERIA Quaranta

— MADE IN ITALY —

SCHEDA TECNICA / TECHNICAL SHEET / FICHE TECHNIQUE

Art.SP005NE02

Mitigeur lavabo SPRINT avec vidage



RUBINETTERIA Quaranta

MADE IN ITALY

Débit d'eau:



RUBINETTERIA Quaranta

MADE IN ITALY

- Materiel:

- Corp laiton conform a la normative EN 1982, EN 12164, EN 12165 standards

	Zn	Pb	Sn	P	Mn	Fe	Ni	Si
	%	%	%	%	%	%	%	%
Ø (2)	38.74	1.19	0.0377	0.0035	< 0.00050	0.0330	0.0057	0.0015
	Mg	Cr	As	Sb	Bi	Co	Al	S
	%	%	%	%	%	%	%	%
Ø (2)	0.0011	0.00069	0.0022	0.0110	0.0013	< 0.0015	0.666	0.0025
	B	Cu						
	%	%						
Ø (2)	0.0016	59.30						

- Reference standard: EN 816:2017

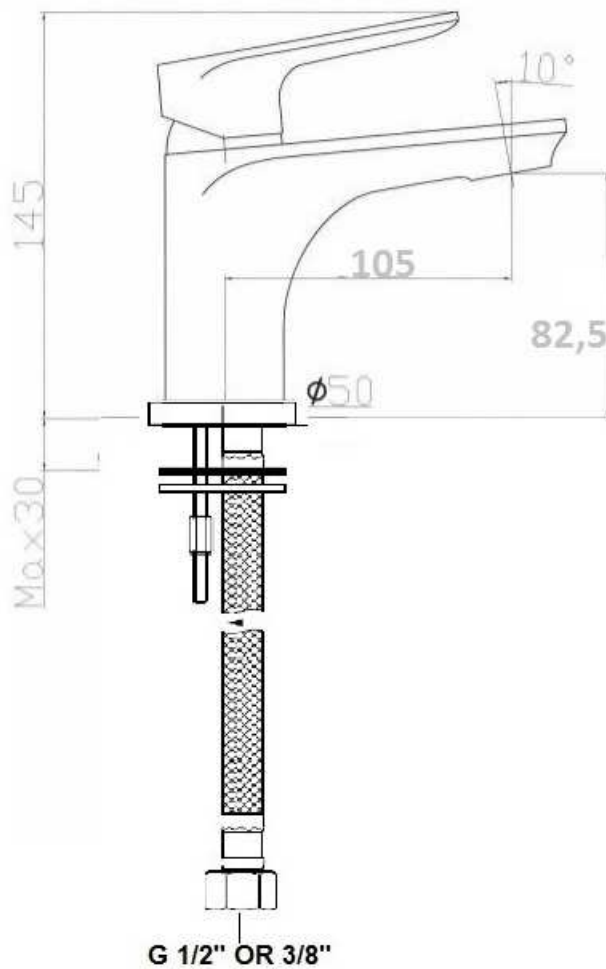
- Cartuche diametre 35 mm. avec discs ceramiques .

- Finiture : Chromé, épaisseur du Nickel de 12 a 16 microns – épaisseur di chrome : 0,25/0,35 microns

RUBINETTERIA Quaranta

MADE IN ITALY

DIMENSIONS:



 MADE IN ITALY	DESCRIPTION Basin mixer with or without p.u.w.	
	RANGE SPRINT	DATE 27/05/2020
	ARTICLE NUMBER SP005-SP004NE00	CUSTOMER'S ARTICLE NUMBER

RUBINETTERIA Quaranta

MADE IN ITALY



www.imq.it



IONet, the association of the world's first class certification bodies, is the largest provider of management System Certification in the world. IONet is composed of more than 20 bodies and counts over 150 subsidiaries all over the globe.

CERTIFICATO N. CERTIFICATE N. SQ031350

SI CERTIFICA CHE IL SISTEMA DI GESTIONE PER LA QUALITÀ DI
WE HEREBY CERTIFY THAT THE QUALITY MANAGEMENT SYSTEM OPERATED BY

RUBINETTERIA QUARANTA SRL

VIA SANTA RITA, 50 - 28024 GOZZANO (NO)

UNITÀ OPERATIVE / OPERATIVE UNITS

VIA SANTA RITA, 50 - 28024 GOZZANO (NO)

E' CONFORME ALLA NORMA / IS IN COMPLIANCE WITH THE STANDARD

ISO 9001:2015

PER LE SEGUENTI ATTIVITÀ / FOR THE FOLLOWING ACTIVITIES

Produzione di rubinetteria sanitaria ed accessori.

Production of sanitary fittings and accessories.

Fabrication de sanitaires et accessoires.

Ulteriori informazioni riguardanti l'applicabilità dei requisiti ISO 9001:2015 possono essere ottenute consultando l'organizzazione
Further clarifications regarding the applicability of ISO 9001:2015 requirements may be obtained by consulting the organization

IL PRESENTE CERTIFICATO E' SOGGETTO AL RISPETTO DEL
REGOLAMENTO PER LA CERTIFICAZIONE DEI SISTEMI DI GESTIONE
THE USE AND THE VALIDITY OF THE CERTIFICATE SHALL SATISFY THE
REQUIREMENTS OF THE RULES FOR CERTIFICATION OF MANAGEMENT SYSTEMS

DATE:	PRIMA CERTIFICAZIONE FIRST CERTIFICATION	EMISSIONE CORRENTE CURRENT ISSUE	SCADENZA EXPIRY
	2003-07-04	2021-07-01	2024-07-03

IMQ S.p.A. - VIA QUINTILIANO, 43 - 20138 MILANO ITALY
Management Systems Division - Flavio Omago



SGQ N° 005 A

Norma UNI EN ISO 9001:2015
Rubinetteria S.p.A. - IMQ
Signatory of ISO 9001:2015
Rubinetteria S.p.A. - IMQ

IAF: 18

La validità del certificato è subordinata a sorveglianza annuale e ricense completo
The validity of the certificate is subordinate to annual audit and a reassessment
of the entire management system within three years



Organismo di Certificazione Fedrato CISQ
www.imq.it



www.cisq.com

CISQ è la Federazione Italiana di Organismi di
Certificazione dei sistemi di gestione aziendale.
CISQ is the Italian Federation of management
system Certification Bodies.