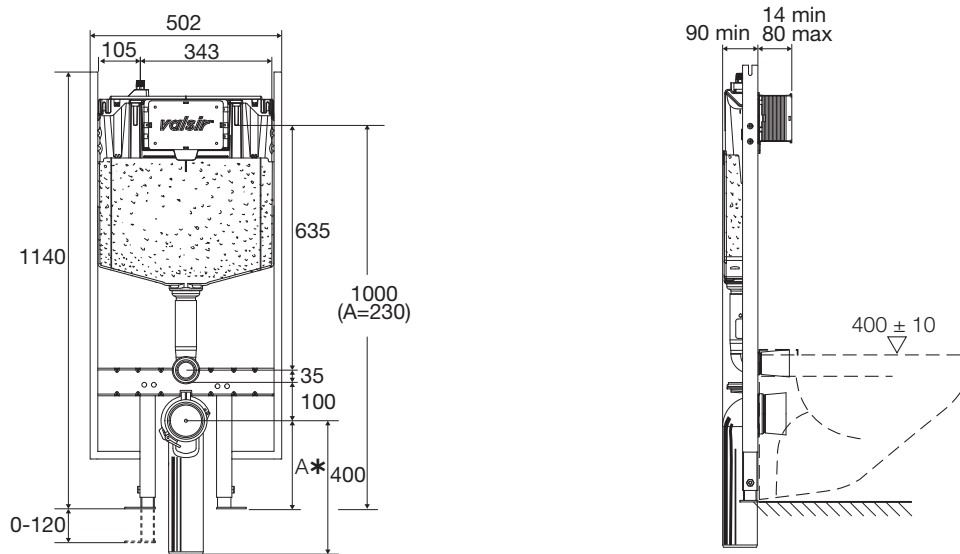
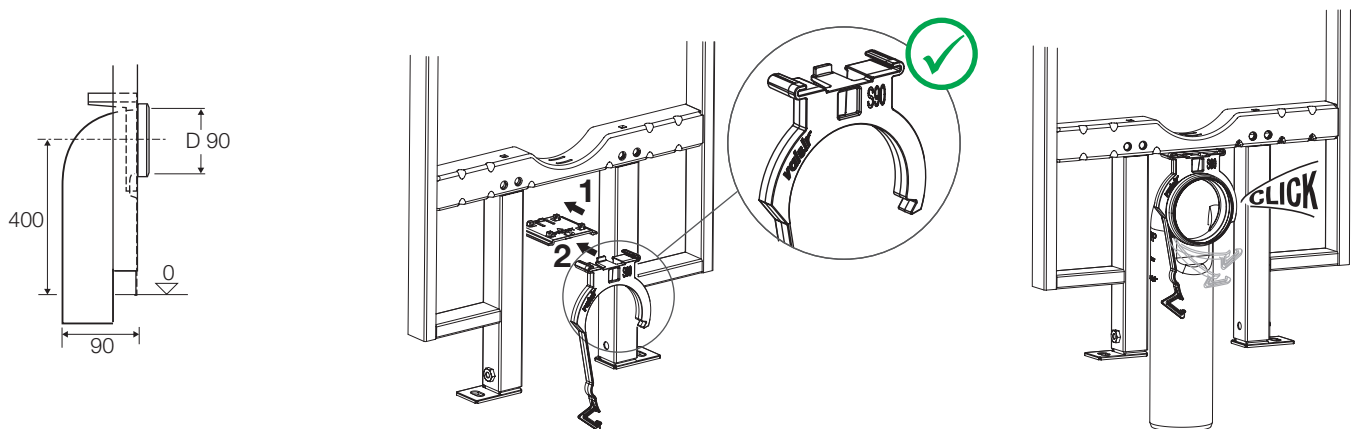




TROPEAS BLOCK S90



* Controlar las medidas de instalación del WC. - *Verify the installation measurements of the WC.*



VALSIR garantiza una perfecta descarga solamente con inodoros homologados para la cantidad de agua prevista por la cisterna.
 VALSIR guarantees a perfect flush only on test-proven pans with suitable capacity.

Todas las cuotas mostradas están expresadas en mm. - *All the dimensions are in mm.*

Tipología de instalación. - Installation type.



Sistema a empotrar.
Built-in system.



Sistema con paredes
de madera.
System with wooden walls.



Sistema con paredes ligeras.
System for light walls.



Sistema con revestimiento seco.
System with dry walls.



Sistema con fijación con rieles.
Rail-mounting system.

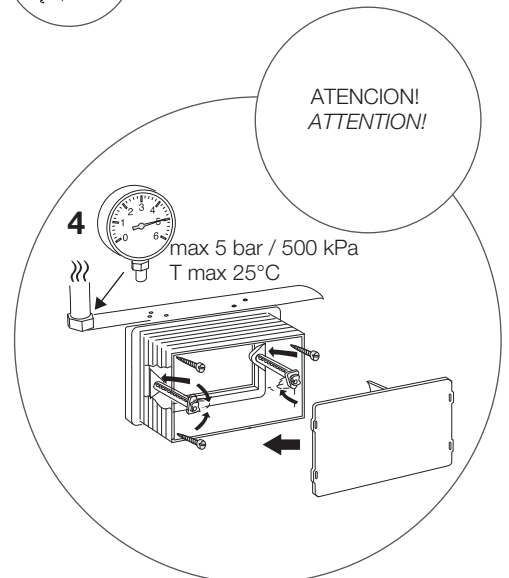
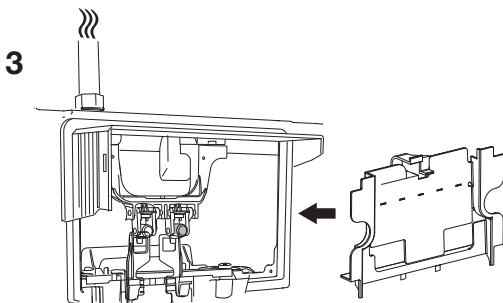
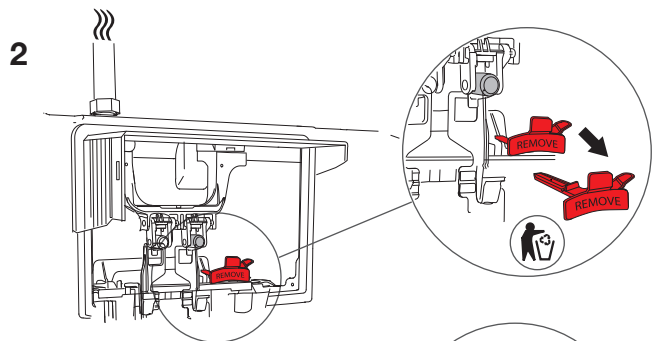
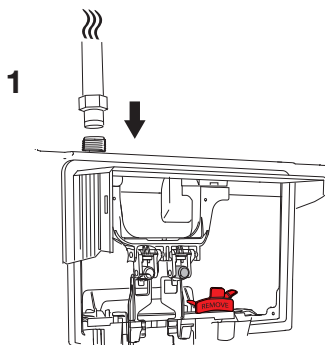
Concealed dual flushing cistern with a plastic body incorporating an inlet valve and dual flush outlet valve. The cistern includes an AC air gap, brass isolation valve and flexible stainless steel braided hose assembly. The outlet valve operates via a two push button assembly. Maximum working pressure 10.0 bar. For use with cold water only.

Installation Requirements and Notes under the Water Supply (Water Fittings) Regulations 1999 in England and Wales, the Water Byelaws 2004 in Scotland and the Water Supply (Water Fittings) Regulations (Northern Ireland) 2009.

1. An "Approved" single check valve or some other no less effective back flow prevention device providing back flow prevention protection to at least fluid category two shall be fitted at the point of connection(s) between the water supply and the fitting or appliance.
2. A servicing valve shall be installed on the supply to the fitting in a readily accessible location.
3. An inlet strainer or line strainer shall be provided at the inlet.

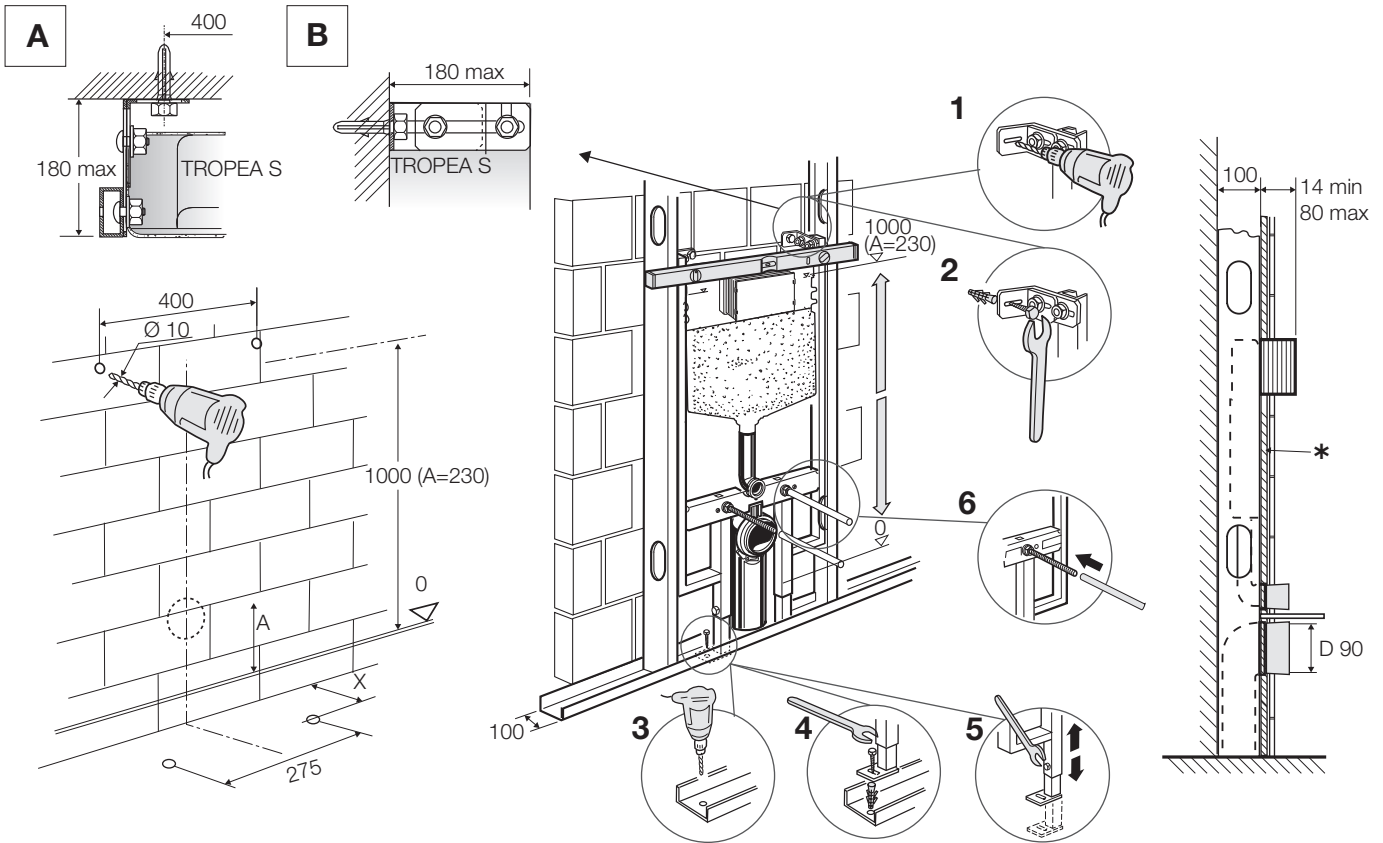
MONTAJE ASSEMBLY

STEP
1/2



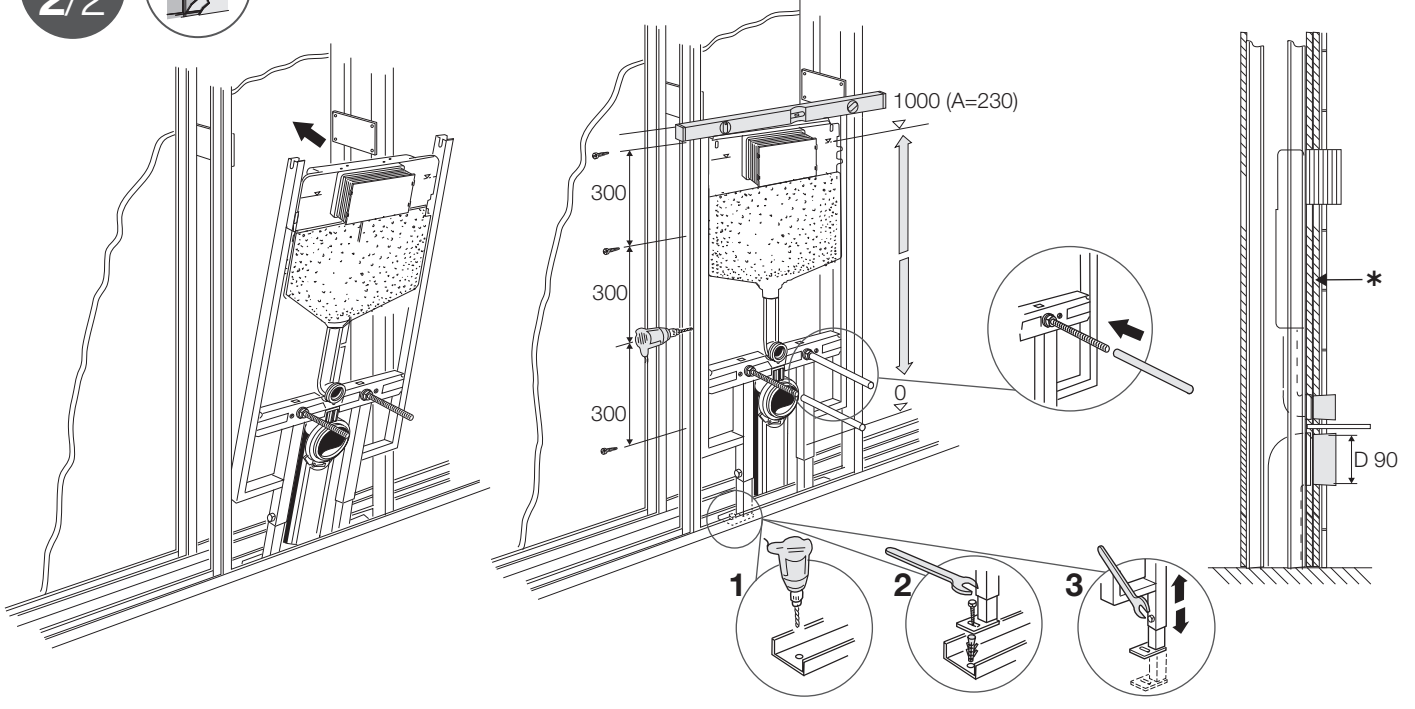
For UK and Singapore only: a WRAS approved single check valve is required to be installed immediately upstream of the stop valve at the inlet of the product.

STEP
2/2



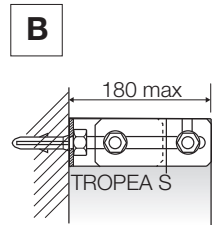
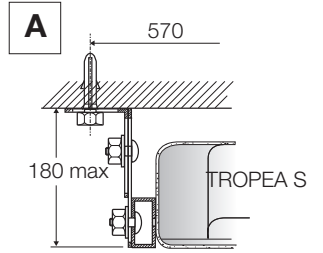
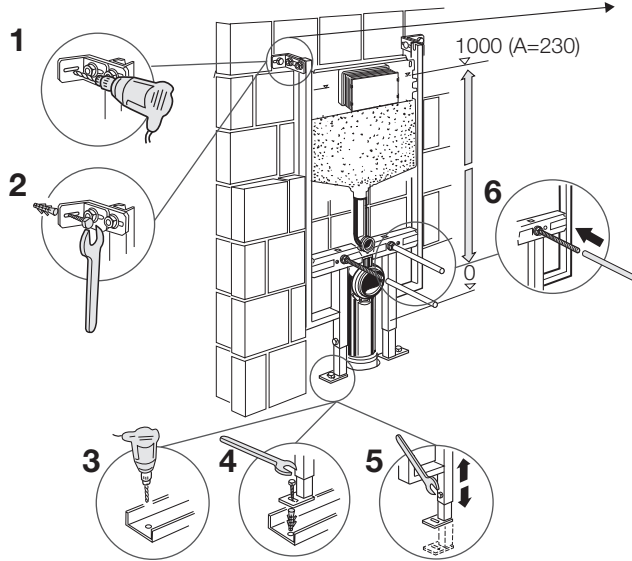
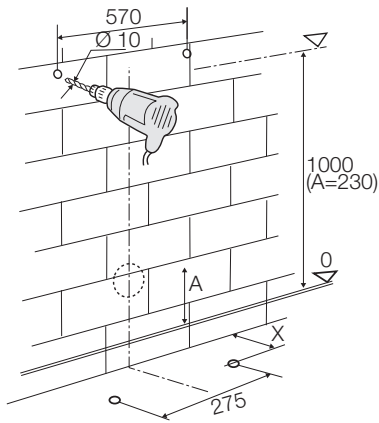
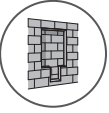
* Espesor del panel 1x25 mm o 1x18 mm o 2x13 mm. - Panel thickness 1x25 mm or 1x18 mm or 2x13 mm.

STEP
2/2

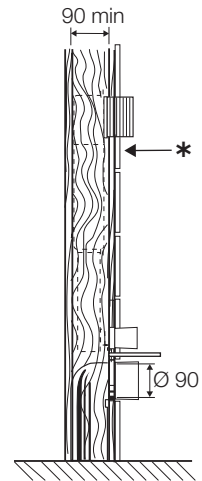
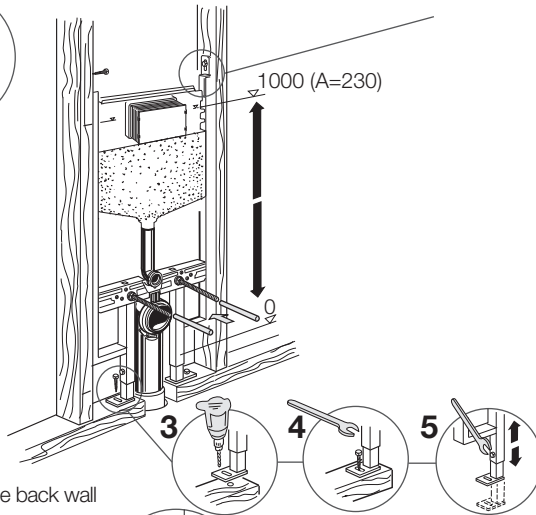
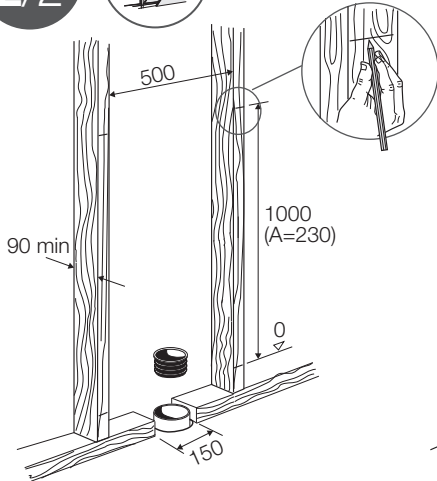


* Espesor del panel 1x25 mm o 1x18 mm o 2x13 mm. - Panel thickness 1x25 mm or 1x18 mm or 2x13 mm.

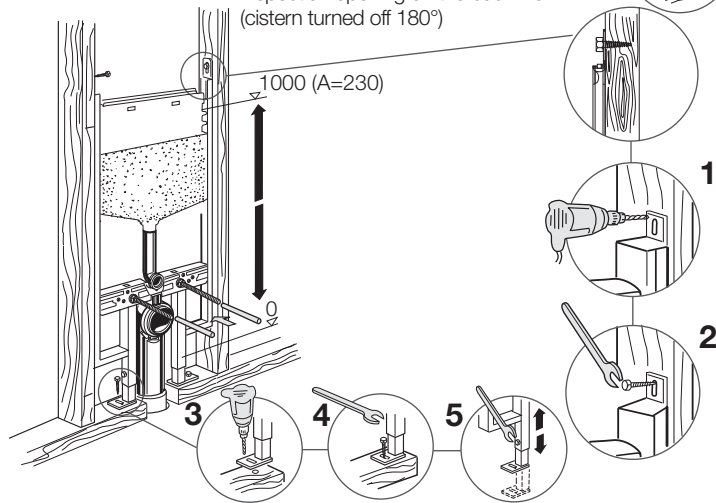
STEP
2/2



STEP
2/2

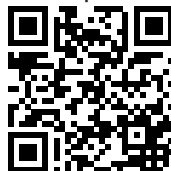


Inspection opening on the back wall
(cistern turned off 180°)



VALSIR S.p.A.
Località Merlaro, 2
25078 Vestone (BS) - Italy
Tel. +39 0365 877.011
Fax +39 0365 81.268
e-mail: assistenza@valsir.it
www.valsir.it

Video Tropea S



<http://www.valsir.it/u/videtropes>

valsir[®]
QUALITY FOR PLUMBING