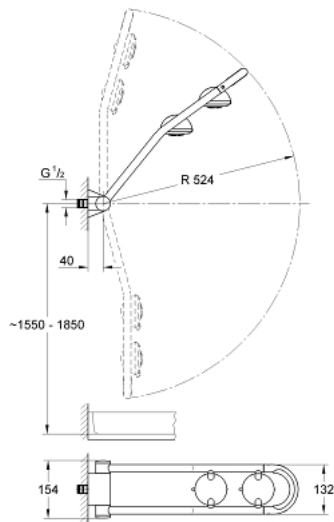


27 005 000 FREEHANDER SHOWER SYSTEM CONCEALED

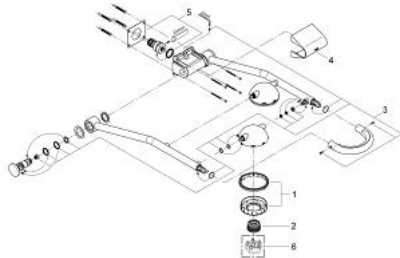


PRODUCT DESCRIPTION

- Colour: chrome
- with two rotating shower heads
- adjustable for use as head or side shower
- 1 shower head with wide, Pulsator and Eco spray
- 1 shower head with wide and pulsator spray
- lockable
- both heads with SpeedClean anti lime-scale system
- self stopping joint
- GROHE Long-Life Shine durable sparkling sheen
- not suitable for instantaneous heater
- min. recommended pressure 1.0 bar



27 005 000 FREEHANDER SHOWER SYSTEM CONCEALED



SPARE PARTS, June 2007 – spareParts.validDate.now

- 1: Spray faceplate (Order-nr. 45877P00)
- 2: Replacement Pulsator element (Order-nr. 45656XX0)
- 3: Seal kit (Order-nr. 45878000)
- 4: Cover cap (Order-nr. 45879000)
- 5: Seal kit (Order-nr. 45901000)
- 6: Disassembling key (Order-nr. 45654000)*

* Optional accessories