

Conditions of use

1. Cooling water * heating water pressure

Minimum pressure

Maximum pressure 1.0 mpa (static pressure)

Pressure is recommended 01-0.5 MPA (flow pressure)

Pressure relief valve shall be installed over 0.5 mpa

Check the pressure 1.6 MPA (static pressure)

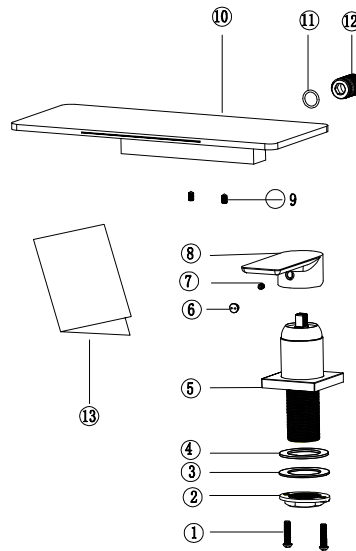
2. The water supply temperature is 4 ° C 90 ° C, the hot water temperature is 60 ° C, please do not use steam.

3. Use ambient temperature 0 ° C or above. If less than 0' , the nozzle will appear deformation, frost crack and other phenomena.

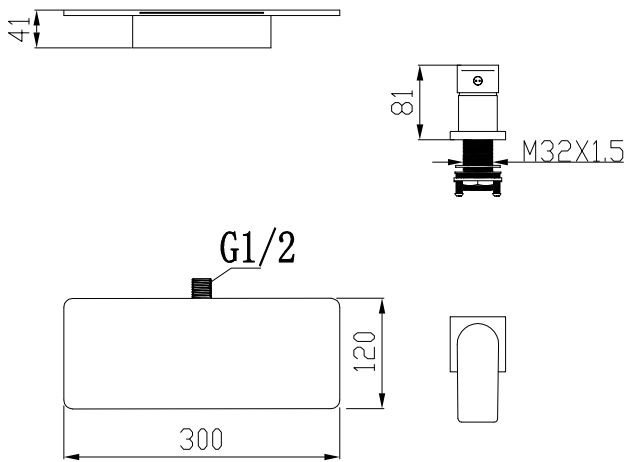
4. Long time do not use, may lead to the nozzle internal and external rust can not be used and so on

5. If you need to discard this product, please do not treat it as general household waste, please in accordance with the law through an independent recycling system for appropriate treatment, recovery and recycling.

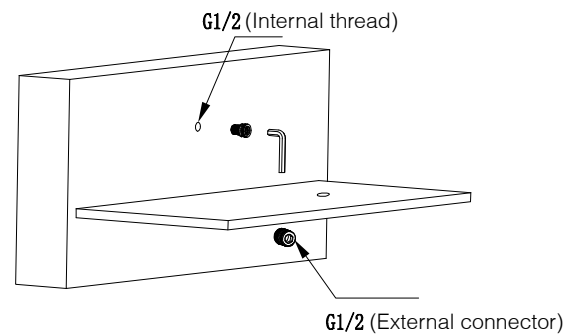
Serial number	Name	Quantity
1	Lock the screws	1
2	Pipe Nut	1
3	Rubber pads	1
4	Rubber pads	1
5	Principal Group	1
6	Color buttons	1
7	M5X5 screws	1
8	Handle seat	1
9	Lock the screws	2
10	Outlet nozzle	1
11	Rubber pads	1
12	Outlet nozzle joint	1
13	Instructions	1



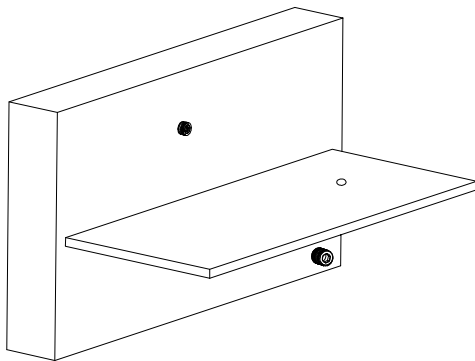
Product dimension drawing



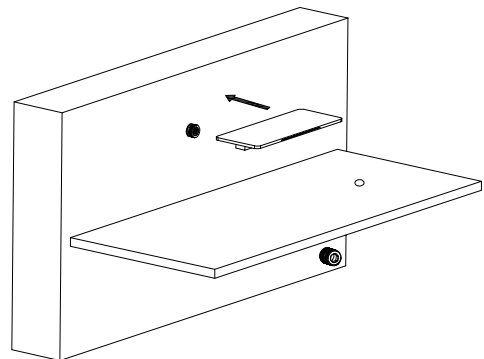
①



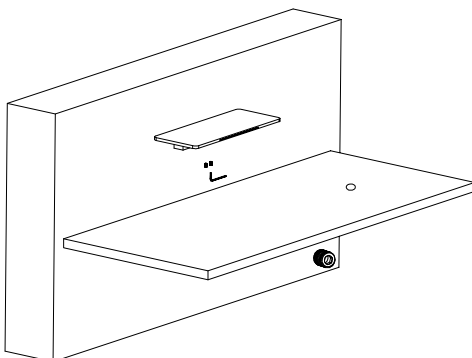
②



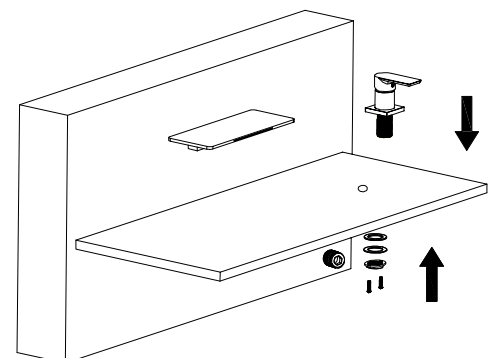
③



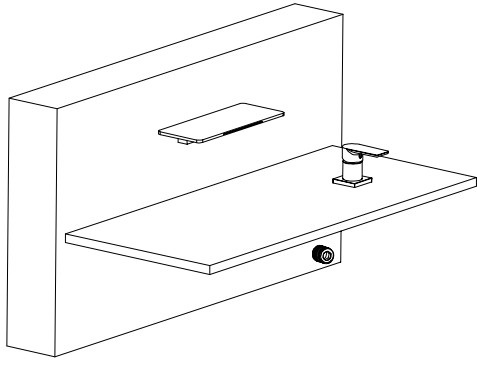
④



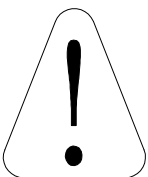
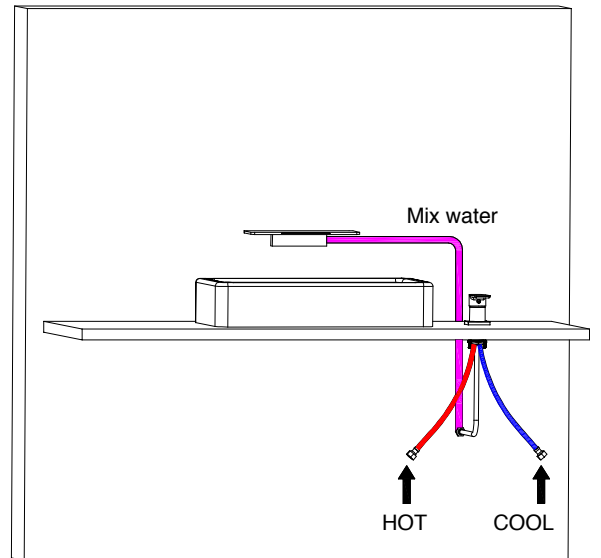
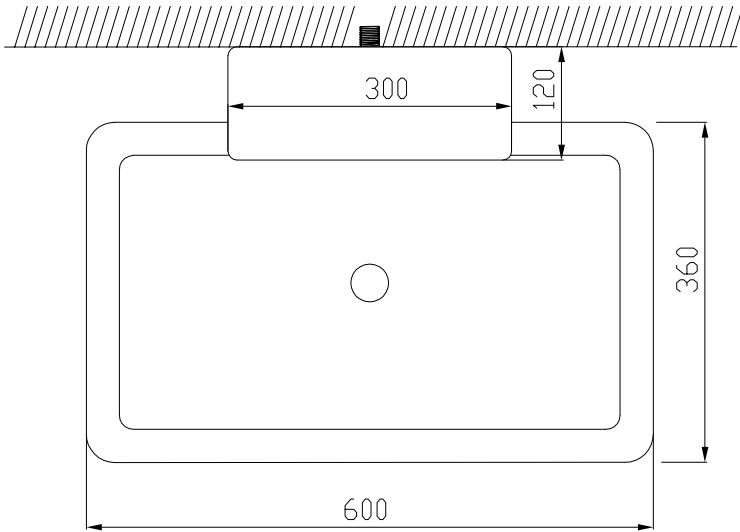
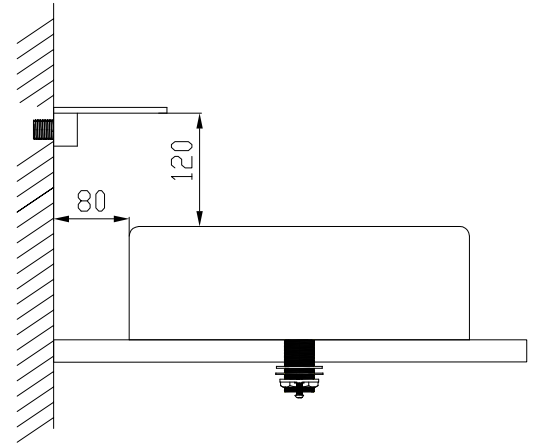
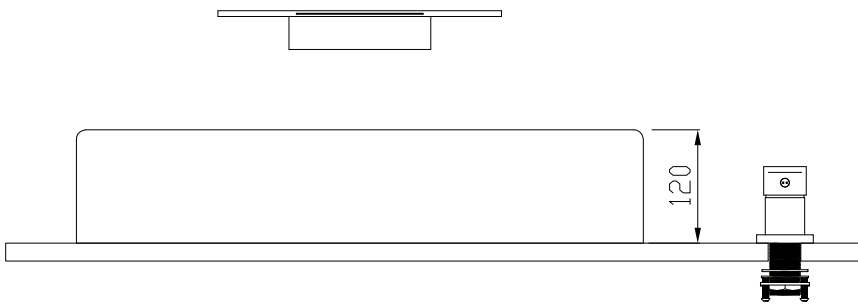
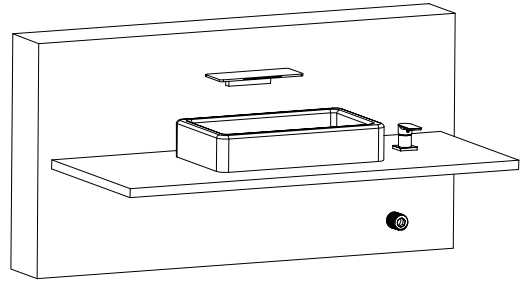
⑤



6



7



Note: Under the guidance of non-professional personnel, please do not disassemble this product. The picture is for reference only. All parts and accessories are subject to physical inspection. The right of interpretation belongs to the company. If there is any change, please refer to the latest "Installation instructions" issued by our company. Thank you!

暗装面盆龙头

安装时间：贴瓷砖前预埋

混水阀预埋到瓷砖面深度：55-90mm
(建议预埋深度为65mm)

测试水压要求：10KG(1.0Mpa)

PPR水管要求：进水4分管，出水4分管(自购)

使用水压要求：≥2.5KG(0.25Mpa)

普通民宅小区水压可达3KG(0.3Mpa)

适用热水器：

燃气热水器、储水式电热水器、空气能热水器、太阳能热水器等

混水预埋到瓷砖面深度为65mm

1) fix the concealed box in wall , depth +_ 65MM

2) 3 Conventional cigarettor butts

Left one to connect with hot water pipe
Right one to connect with cold water pipe
Top pne to connect with the spout

1200mm
阀体建议安装高度

■ 热水
■ 冷水
■ 混合水

身高假定为170CM

注：此产品需要在专业人士指导下安装

热水
4分管DN15

冷水
4分管DN15

