

MAXIFLOW

Product name : PRIME SCALA DELUXE

Code : 4025.TY040K.060.1

Size : 60 CM

Grid Design : RAIN

Description : Plastic body with Stainless Steel grid 304 and big frame with membrane.

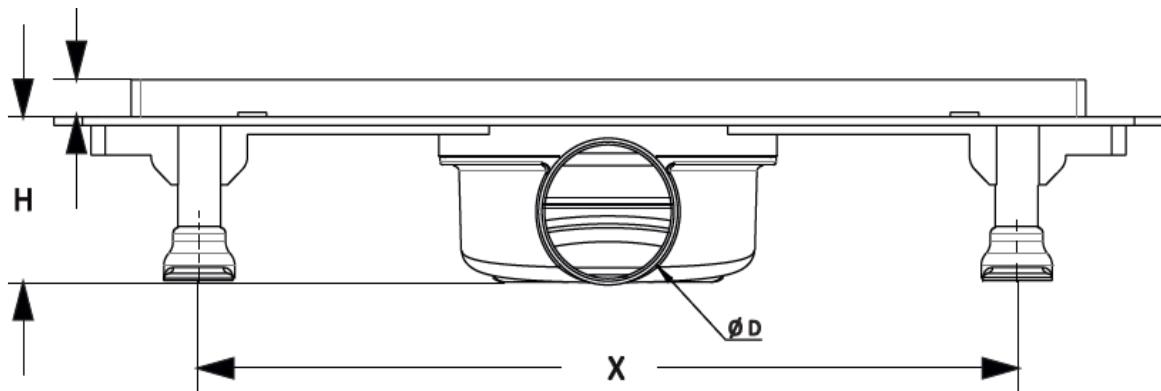
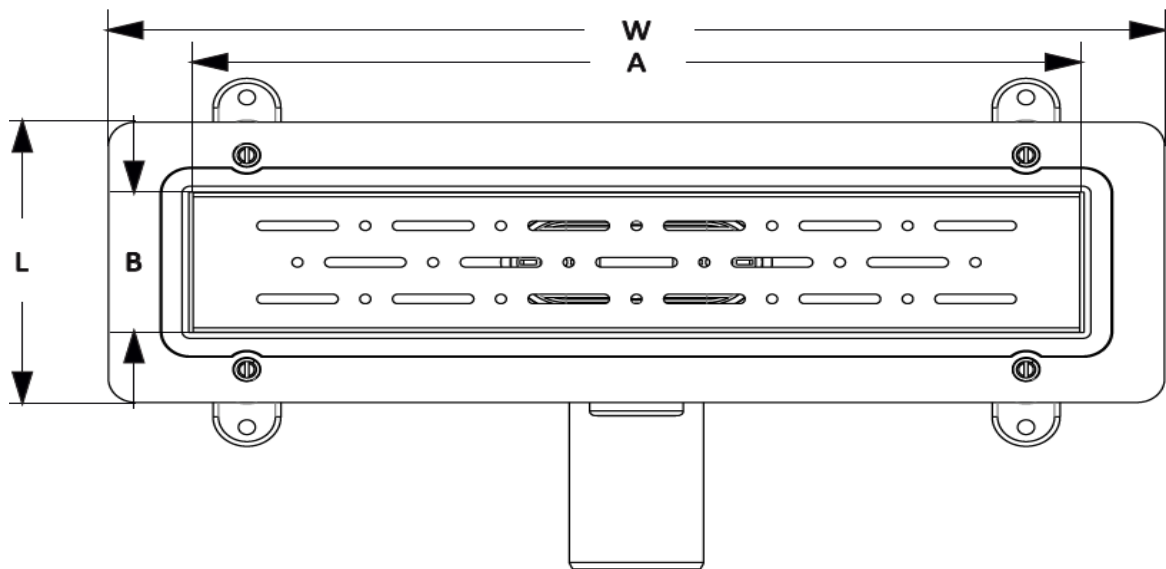
Material : Stainless Steel 304 - This shower channel made of standard 304 stainless steel, base, strong enough for durable working life. Surface brushed finished, protect against corrosion, rust and scratches.

Design: Flow Rate: 32 L per minute . Solve ponding problem of your bathroom, pool effective. Heavy duty steel cover offer a good sealing ability, prevent insects and mice of drain pipe from entering the house

Advantages : With its 304 grade stainless steel grid, it has a quality and stylish-looking. It can be easily applied at floor.

With its odor blocking by water support, it prevents the bad smell coming from the installation. With its adjustable height legs, it can be adjusted depending on the screed concrete. High resistance against the organic and inorganic chemicals, resistant against most acidic and vertically aqueous oxidation.

Details : DN 40 side and horizontal outlet 360 degree - compatible with PVC pipe connections, blocking odor by water (36mm). The flow rate is 32 liters/min. Resistant against external chemical effects, operating temperature is between -30°C and +75°C. The grid is made of 304 grade stainless



W	L	H	Ø D	A	B	C	X
654	119	55	40	605	64.5	64.5	587
TABLE MEASURE MM							